

Thermal inkjet printer

# LOCUST 蝗蟲機

**A simple job, you don't need a complex printer.**

LOCUST has the features of low cost, easy use and maintenance free.

The lowest price of disposable inkjet cartridge.

The lowest price of complete TIJ coder.

Compact and ideal for intergrading with carton sealing machine.





## Thermal Ink Jet Technology

The LOCUST is based upon reliable TIJ technology, high quality, low cost and fast printing, it is ideal for 9mm single line printing for all corrugated cartons.

## ● Load Print Job from USB-Key

Build your print message on a PC using the **DotW-LC** software delivered with the printer, transfer to USB-Key then connect and download to your LOCUST. The layout can be saved to the internal memory up to 30 messages.

## Ink Cartridges ●

The nozzle has 104 print channels provides 9mm printing height with up to resolution 300 dpi, dye water base inks are available for color Black, Blue and Red.

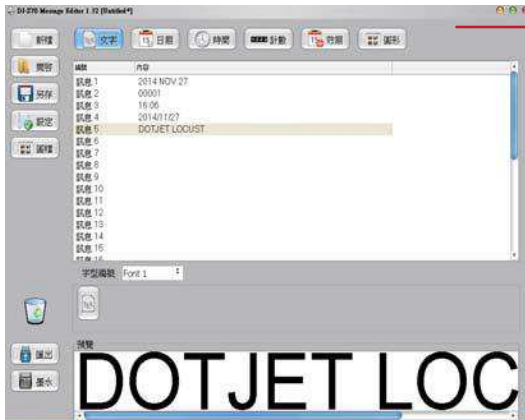


## ● Built-in Sensor

The LOCUST printer has two internal sensors, automatically switch print direction depending on which sensor is priority to be sensed. The print speed is also adjusted automatically by measures the different timing of two sensors be sensed.

## ● Dual Switchable Nozzle Design

Allows you to switch nozzles when necessary.



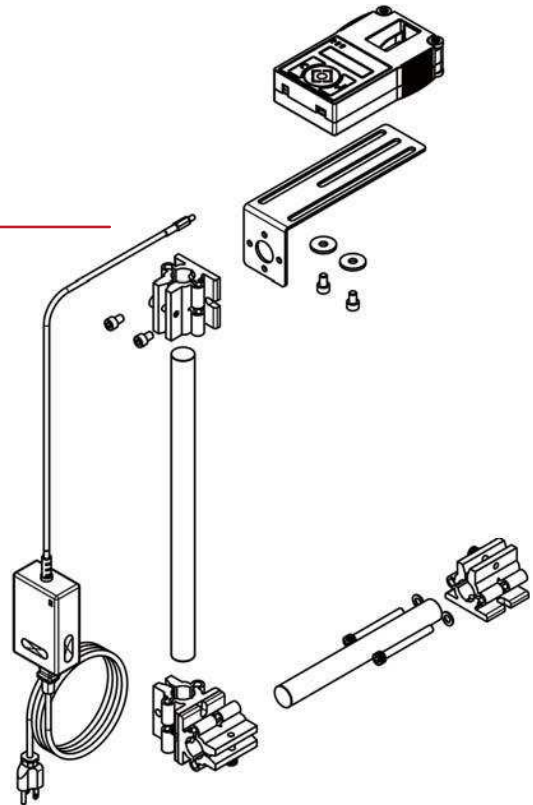
## ● User Friendly Operation Software

Very simple to get access for beginner, click and drag to edit the print message, even the keyboard is not Needed beside text entering.

## ● Easy to Integrate and Use

The LOCUST is an “out of the box” unit, place an ink-cartridge in the head, connect to power and print instantly by pushing a button to select a desired message.

The printer takes up very little space, a set of flexible brackets is included, this makes it very easy to be integrated for print horizontally or simply change position to print vertically.



## ● Quick Setting Print Parameter

2 x 20 LCD module display available for multi-language, the print setting like speed, direction, delay can easy to setup by the keypad.



## ● Low Ink Consumption

There are four types of character fonts build-in the Locust. For saving printed ink cost, a thinner font can be selected instantly.

Ink calculation of per message has build in the PC software.

## Key Feature



### Quick Change Ink Cartridge

Quick-change cartridge design makes cartridge changes fast, clean and easy, just one simple action is required for replacement.



## Specification

Key Feature & Specification

Print Height	9mm
Print Distance	0.5 - 5 mm (nozzle to print surface)
Maximum Printing Length	128 characters
Voltage	DC + 12V (power supply included)
Print Speed	42 m/m at 300dpi
Design Software	DotW-LC (for WinPC)
Memory	30 print jobs in unit
Print Features	Left / right, Upside-down, Auto switch print direction
Signals	Low ink signal (diode) and Print signal (diode)
Dimension (L/W/H)	90 x 180 x 40mm(3.54 x 7.09 x 1.57inch) Exclude cartridge
Weight	0.35Kg (0.77lbs)
Software Functions	Graphics, Date & Time (Real-time), Counters, Text (Alphanumeric) and Logo 4 Windows true type fonts
Interface	USB